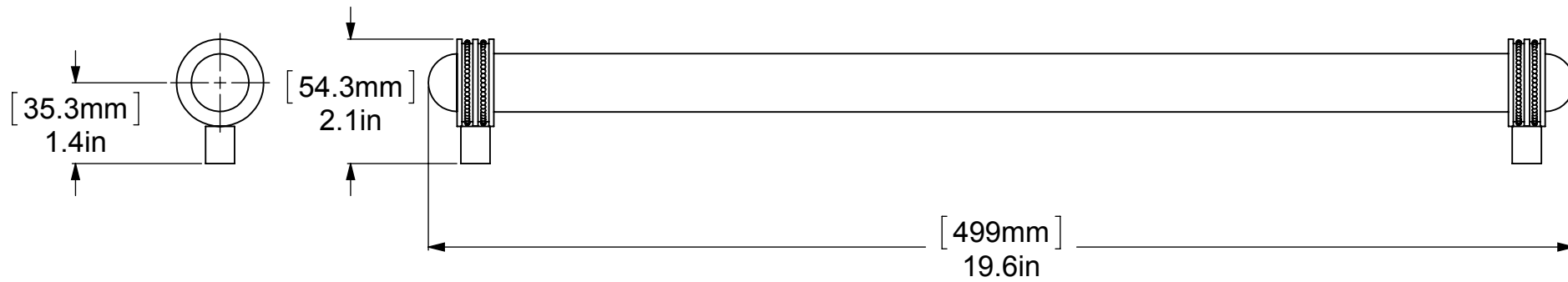
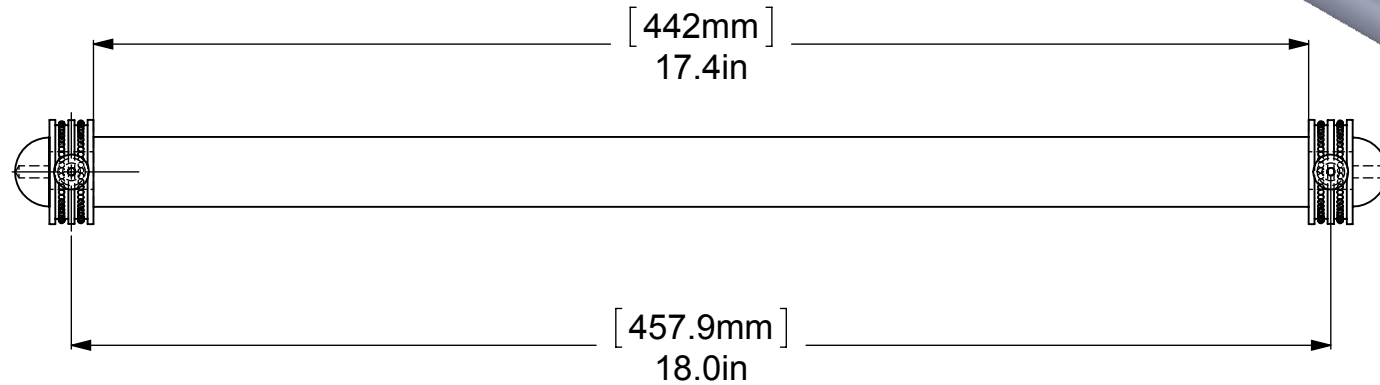
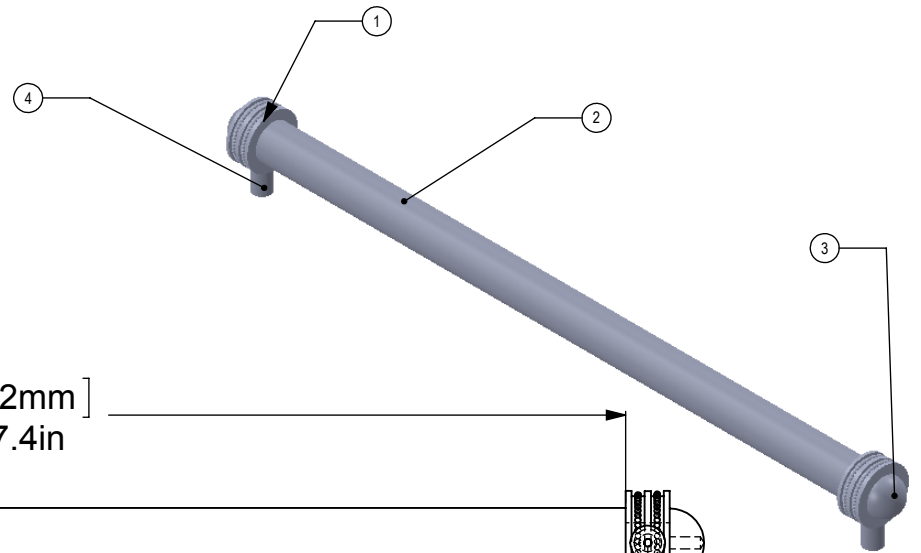


ITEM NO.	PART NUMBER	DESCRIPTION	QTY.
1	RGDTT	CONNECTOR	2
2	TU1-17.4	TUBE	1
3	CAHR-1	CAP	2
4	PSRD8-12	END TUBE	2



APPROVED FOR PRODUCTION
 By: RICHARD PAUL
 Date: 6-2-2021

UNLESS OTHERWISE STATED	
.X	±.3mm
.XX	±.15mm
.XXX	±.008mm

COPYRIGHT © Allied Brass 2021



DRAWN	5-31-21	I.M
CHECKED	5-31-21	P.D
APPROVED	5-31-21	R.A

MATERIAL: BRASS
 DESCRIPTION: 18 Inch Refrigerator Pull



FINISH	TBD
QUANTITY	TBD
DRAWING No.	REV
402AD-RP	0
SCALE	1:2.75
SHEET: 01	A4